

Jiangyin Spark XH-SCT-S21 Slim split core current transformer ,split core design ,this CT is a clamp-style Current Transformer (CT) that can be used with IQ Combiner and IQ Gateway products, can be easily installed with single hand, and works well in crowded panels with complex wiring. The Consumption Clamp CT enables battery and home energy usage monitoring. UL2808 certified for use at the service entrance

Smart Grid Application Features

Power management, Residential Systems

Three Phase Balance Control

In-Factory Display In-Home Display

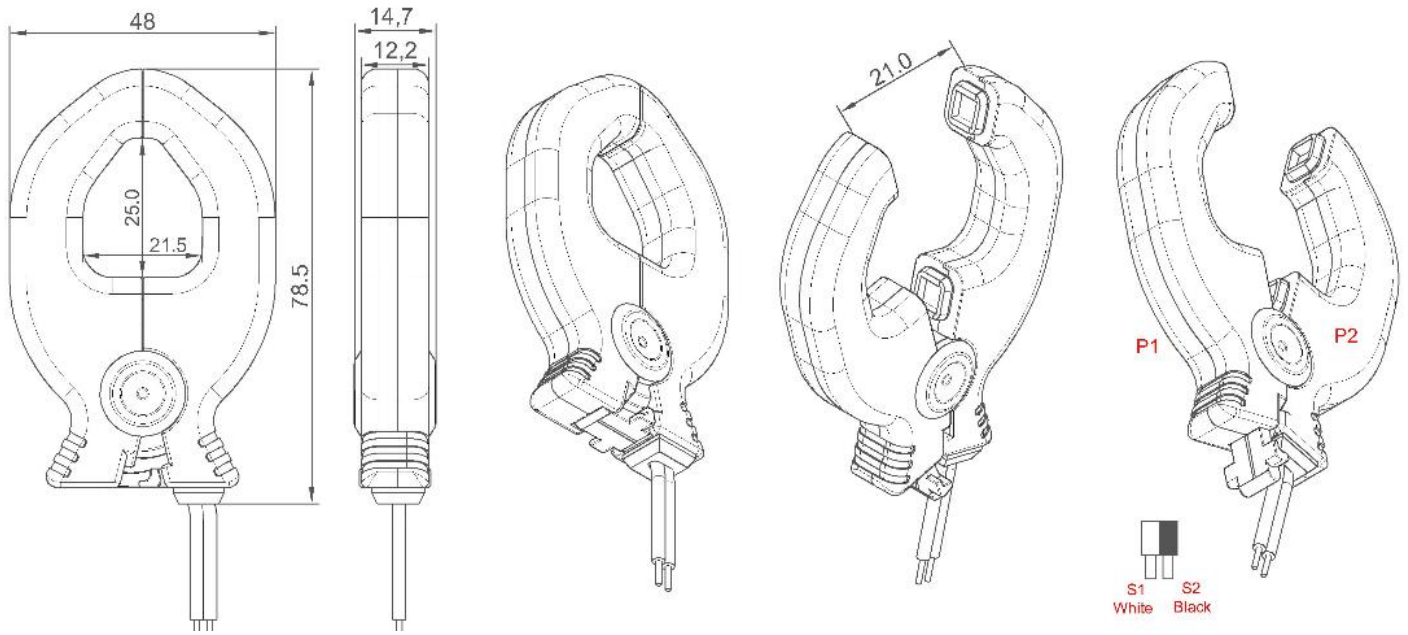
Inverters for Solar & Wind Turbine Systems

Power Measurement Device For PLC



Model : XH-SCT-S21

XH-SCT-S21		UNITS
ELECTRICAL SPECIFICATION		
Accuracy	±0.5	%
CT Phase Angle	Rated input <1.5	Degrees
Nominal Line Frequency	60 / 50	Hz
Current Rating	10-300	A
Output	2400:1, 2500:1, 3000:1, 4000:1, 5000:1 etc	
Over voltage Category	mA ,0.333V, 0-5V	
Maximum Continuous Amps	CATIII 600V	A
MECHANICAL		
Type	Split core, clamp design	
Average Window Diameter	21.5(tolerance +/- 0.5mm)	mm
Lead Wire	Type	Twisted pair MTW,UL1015
	Length	1m ,2.4m,5m or customized
	Gauge	20. 22 AWG
Material	Nylon	
Weight	110g for 1m	g
ENVIRONMENTAL		
Operating Temperature Range	-40 to 85	°C
Operating Humidity	5% to 90% relative humidity	
IP Rating	30 (NEMA 1)	
UL 2808 (XOBA) LIST		

DIMENSIONS(mm):

Test Report:

Test condition :Rated input current 200A, rated output 80mA, Ratio error :0.5%

Samples NO	Input	5%	20%	100%	120%
1	Ratio error	-0.316	-0.077	-0.068	-0.088
	Phase error	75.8	59.2	43.3	41.9
2	Ratio error	-0.246	-0.030	-0.083	0.100
	Phase error	78	56.7	39.4	37.6
3	Ratio error	-0.454	-0.148	-0.003	0.018
	Phase error	82.4	63.8	50.0	49

